

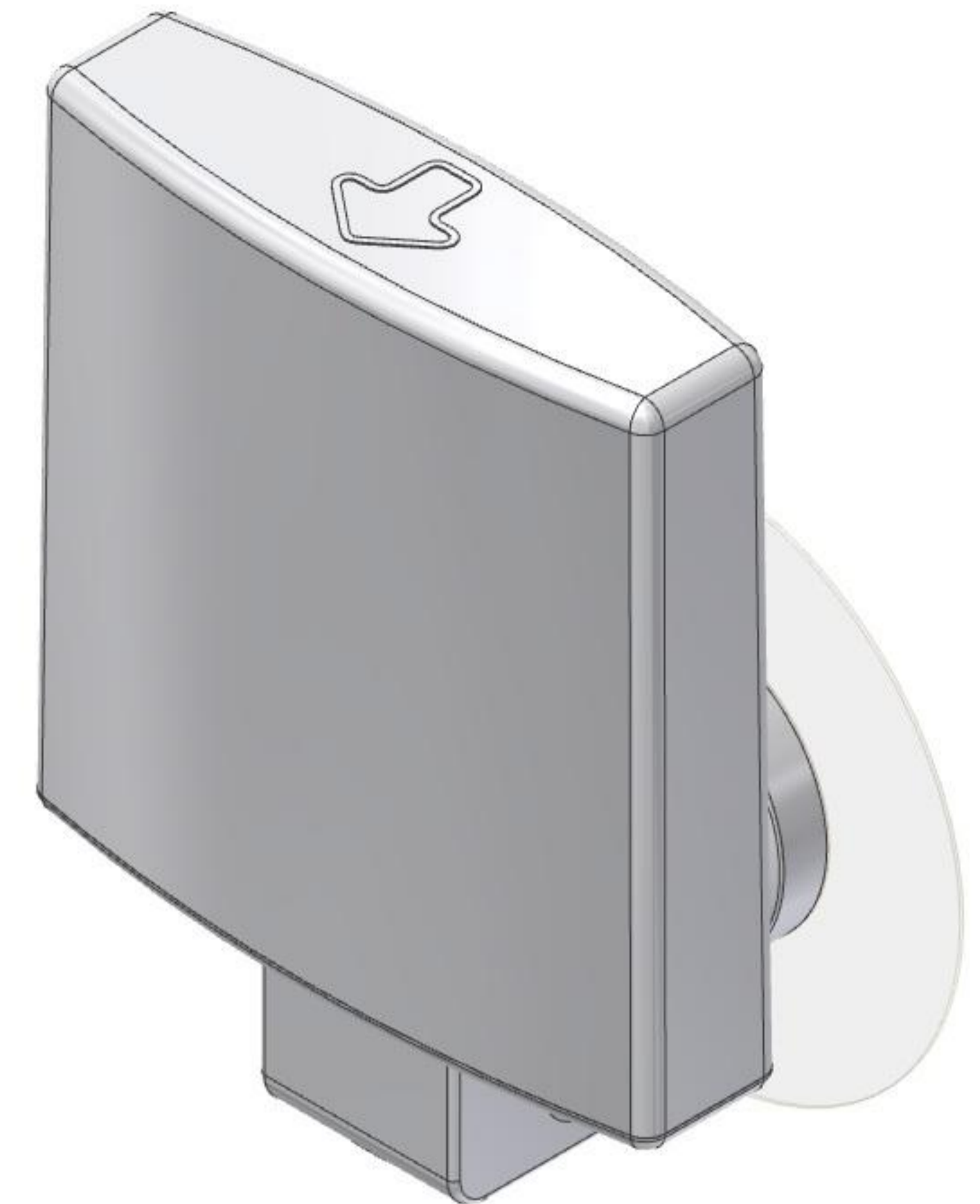
Single band (3G) Patch Antenna

1940 ~ 2150 MHz / 3 dBi

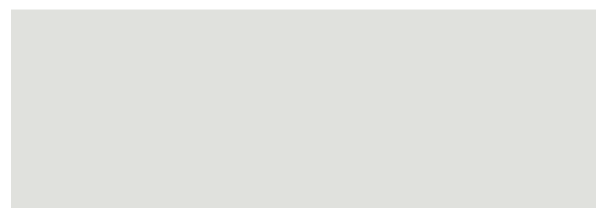
IMT-WNSPA-06A (Window Type)

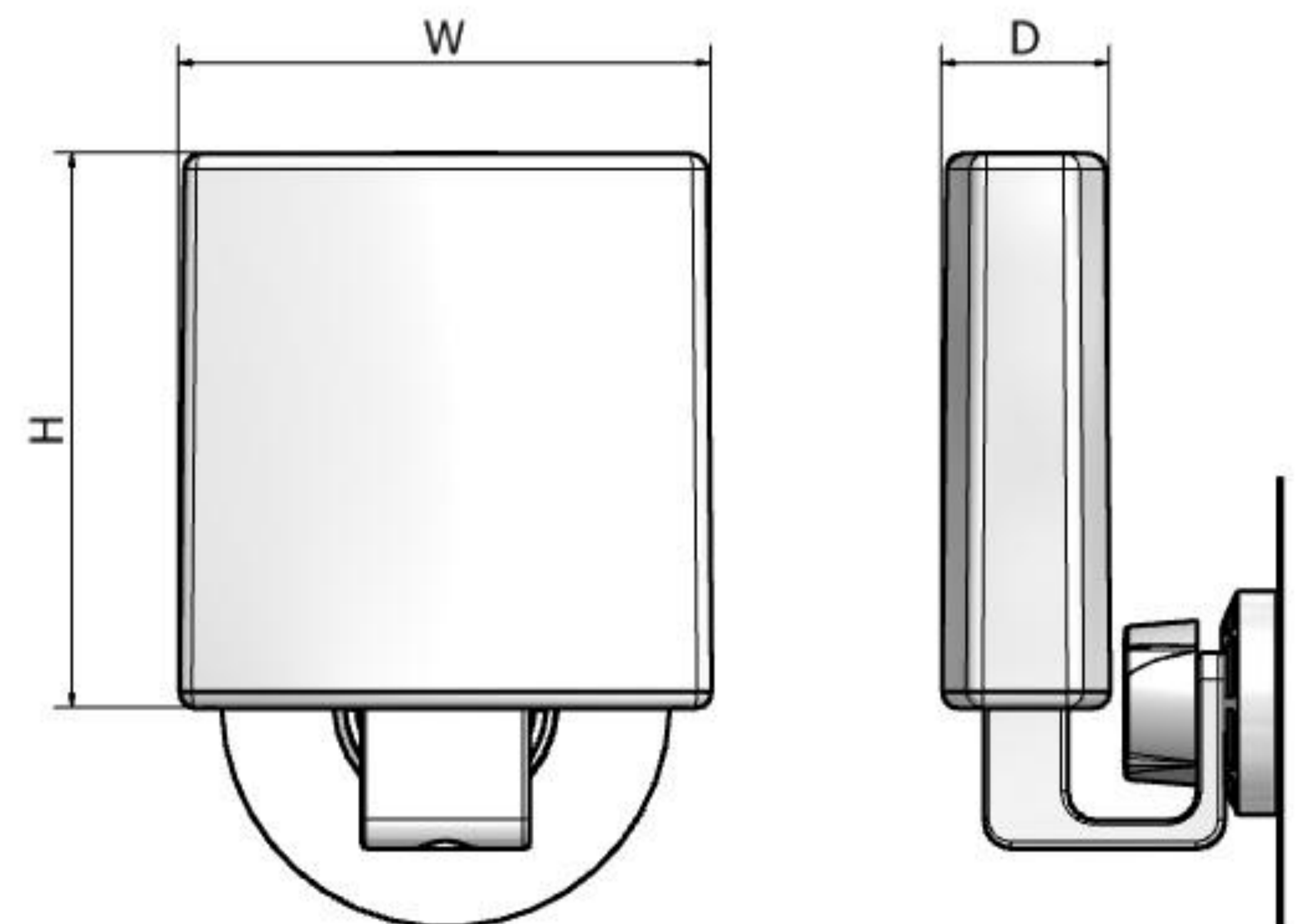
i. Electrical Specification

Frequency Range	1940 ~ 2150 MHz	
Polarization	Vertical	
Band Width	210 MHz	
Gain	3 dBi ± 3dB	
Beam width	Horizontal	-
	Vertical	-
F-B ratio	-	
VSWR	≤ 1 : 2	
Impedance	50 Ω	
Maximum input power	1 W	

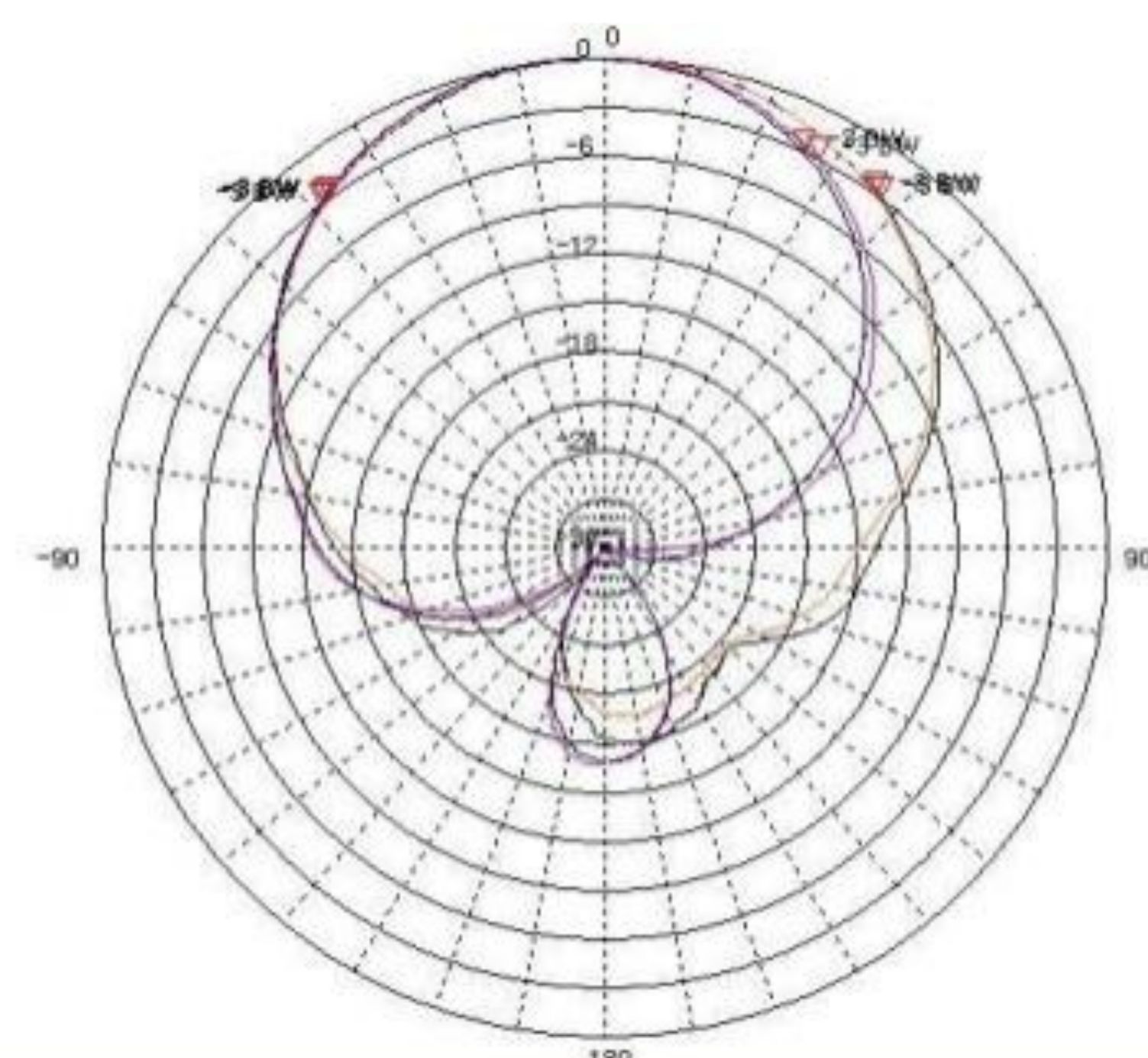


ii. Mechanical Specification

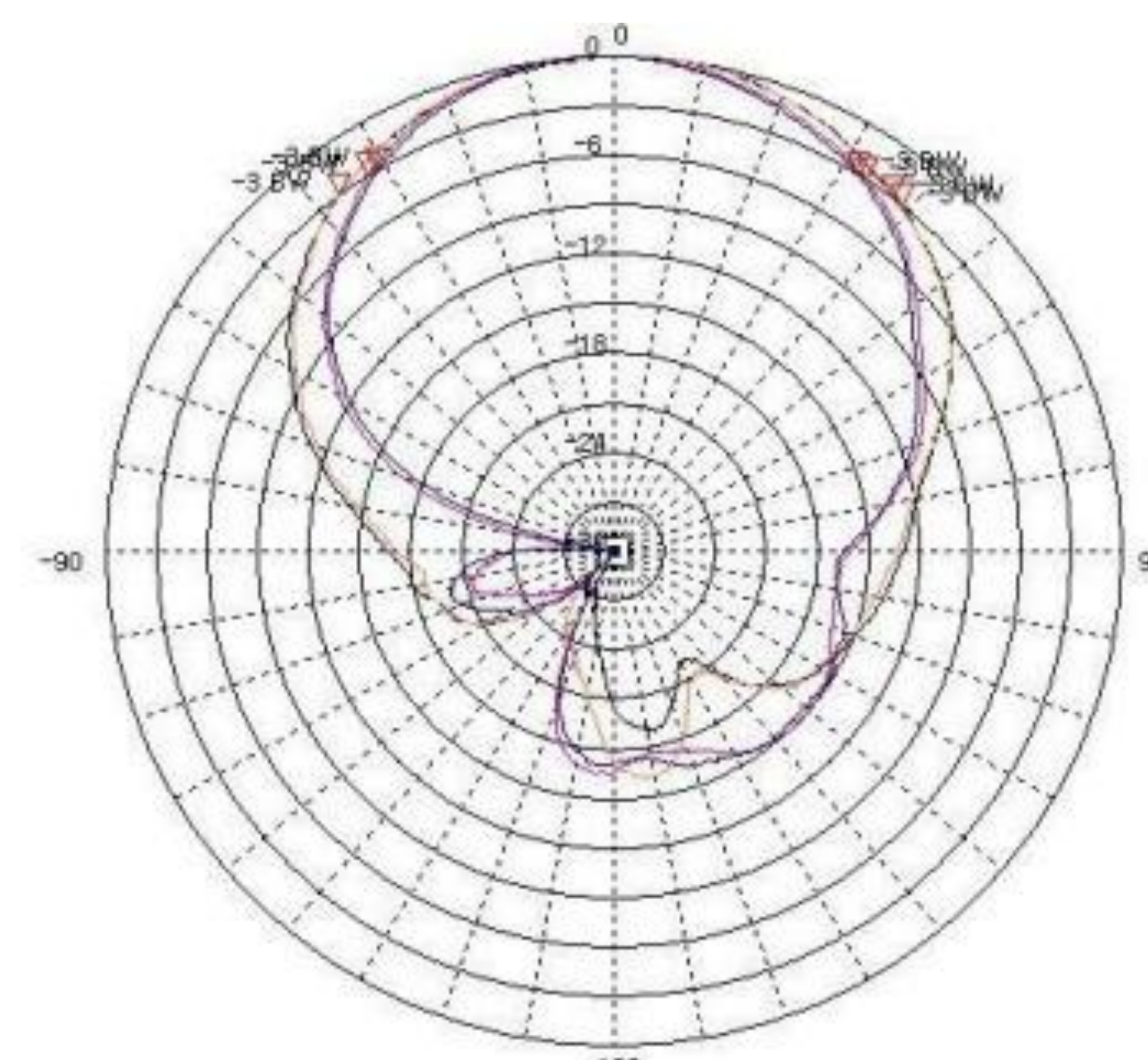
Radom Dimension (H x W x D)	99 x 95 x 30 mm	
Weight (Include bracket)	≤ 600 g	
Connector Type	SMA/Male (R/A)	
Withstand Wind Pressure	60 m/sec	
Radome Material	ASA	
Radome Color	 Cool Gray 1C	
Mechanical Down Tilt	-	
Mechanical Swing	-	
Temperature	-40 °C ~ 70 °C	
Packing Size (H x W x D) 50SET	-	
Packing Weight	-	



iii. Radiation Pattern



Horizontal Pattern



Vertical Pattern